

MH-300

Motorized Horizontal Test Stand



(Force gauges are sold separately.)

[Applications]

- Various material testing up to 5000N (measuring of tensile strength, compressive strength, shearing strength and etc).
- Analysis of thick wire harness test.

[Feature]

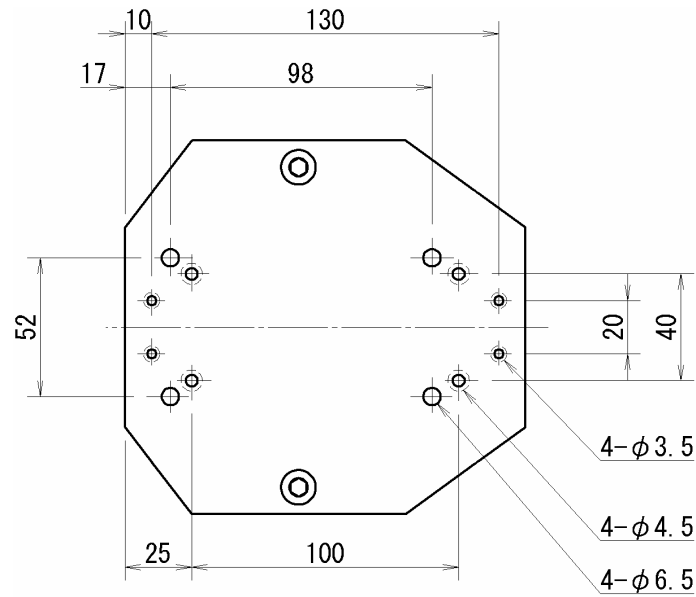
- Stable measuring with constant speed (adjustable) is possible.
- Continuous testing is possible by the auto-cycle function with adjustable upper and lower limits.
- Operation efficiency is excellent due to its spacious design.

[MH-100BA / MH-100AC / MH-300 Specifications]

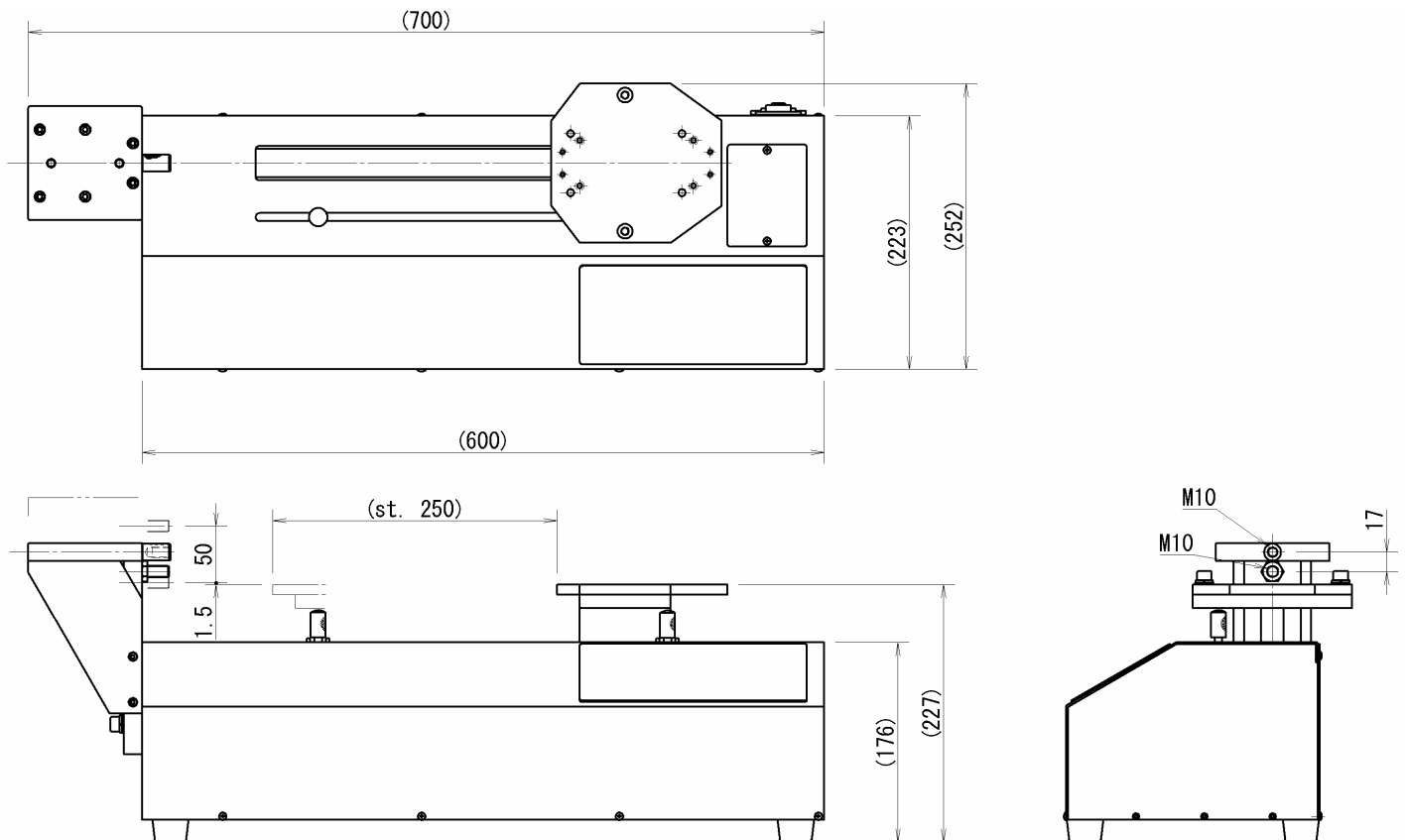
Model	MH-300
Capacity	3000N
Stroke	250mm
Travel speed	8~240mm/min non-step adjustable
Operation mode	3 mode selectable (manual, one cycle, continuous cycle)
Safety device	Adjustable right/left limit switch , Emergency stop button
Force gauge mounting plate	Refer to the following drawings for gauge mounting hole pitch
Dimension (mm)	Refer to the following drawings
Weight	28.5 kg
Power supply	AC100V~AC240V free input
Options (Built only in factory)	Slow start (-P) 5 speed changeover switch (-5C) Encoder (-E) Extended stroke (-L650) * Use suffix after model name to select options.
Accessory	Power supply cable Gauge mounting bolts

[Dimension]

Force gauge mounting table



Body of machine



[Note]

Force gauge (sold separately) is required for actual measuring.

Various optional attachments are available for different types of measurement.

All information is subject to change without prior notice.